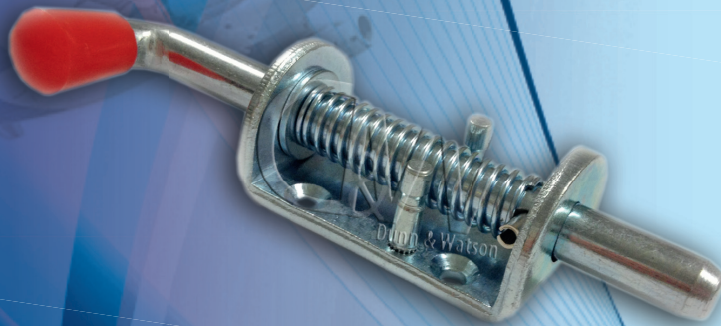


Section 2

FASTENERS

2 - FASTENERS

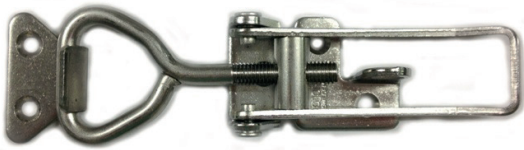


OVER CENTRE FASTENERS - STANDARD

Great general purpose fastener.
Assists in creating positive pressure
on foam or pinchweld seals.

Features:

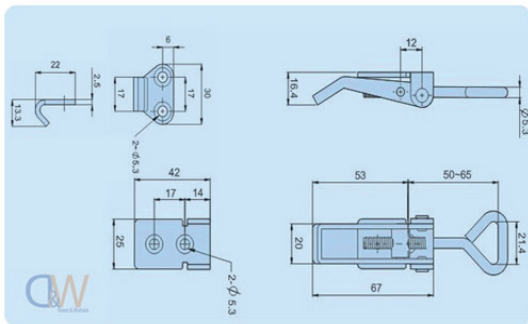
- Pad Locking
- Available in Zinc or Stainless Steel Finish



Part No.

Part No. F0001 ZINC
Part No. F0004 STAINLESS STEEL

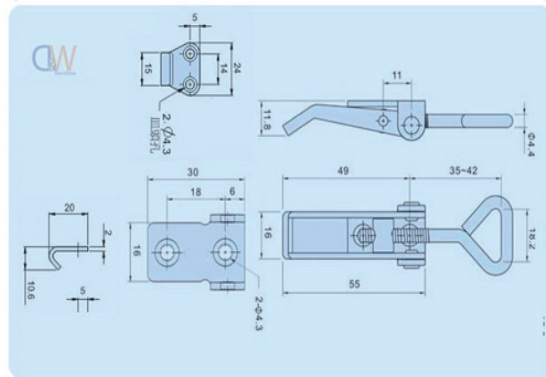
Small:



Part No.

Part No. F0002 ZINC
Part No. F0005 STAINLESS STEEL

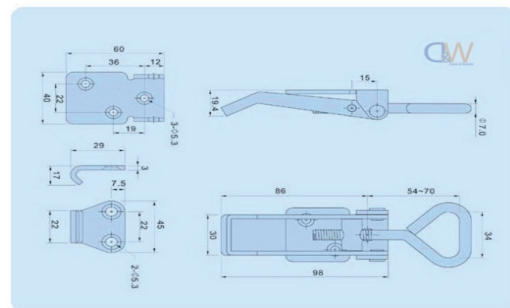
Medium:



Part No.

Part No. F0003 ZINC
Part No. F0006 STAINLESS STEEL

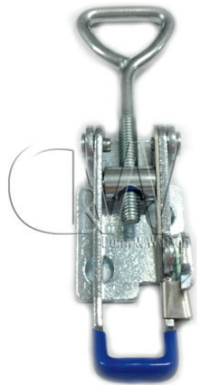
Large:



OVER CENTRE FASTENERS

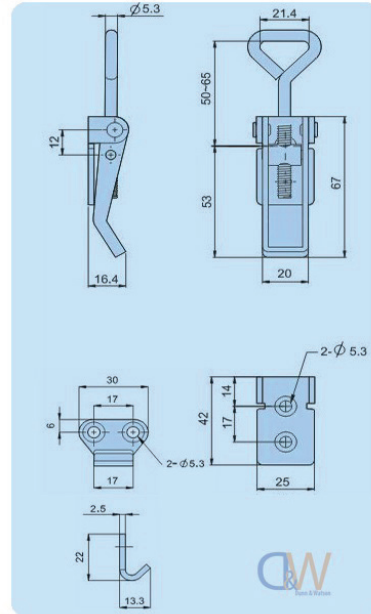
Locking

Fastener encompasses the easy to use function of a standard over centre but also features a patented locking device. Standard over centres rely on positive force from the lever going over 90 degrees. The handle still has this simple yet effective principle but also has a lock in feature for extra measure. This eliminates any chance of the latch opening on rough or bouncy environments.



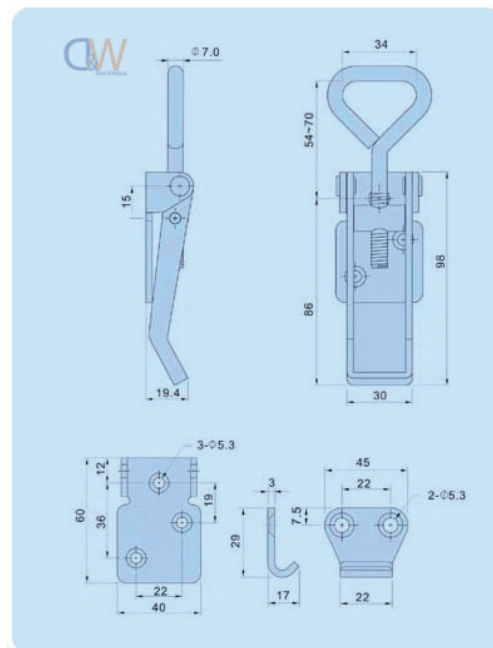
Part No. F0007

Medium:



Part No. F0010

Large:



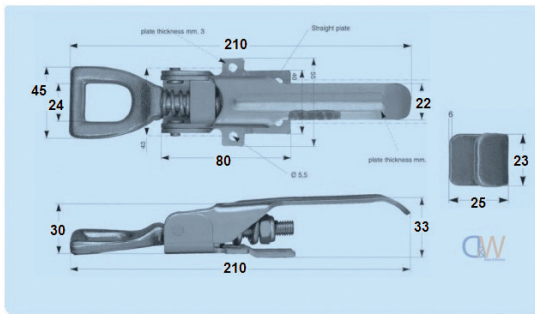
OVER CENTRE FASTENERS

Heavy Duty

Great for securing loads and assisting with applying pressure to foam and rubber seals. Commonly used on tailgates, drop side boards on utilities and many other industrial applications.

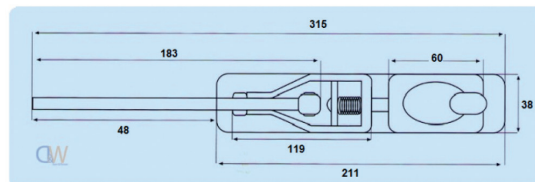
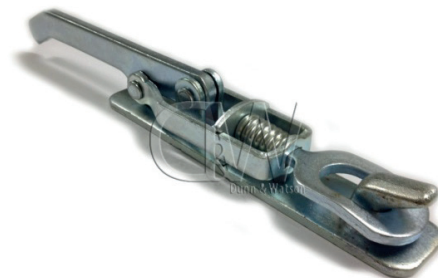
Part No. F0008

Bolt On:



Part No. F0007

Heavy Duty - Weld On:



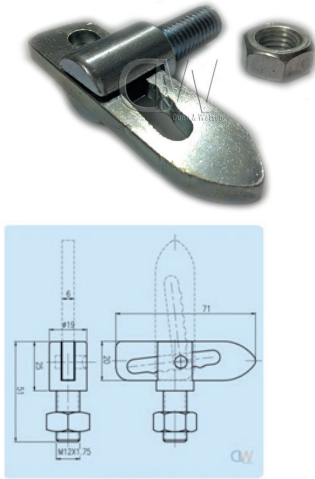
2 - FASTENERS

ANTI-LUCE FASTENERS

Commonly used to hold back up tailgates and drop side boards on trailers, utes etc. Available in Zinc or Stainless Steel finish

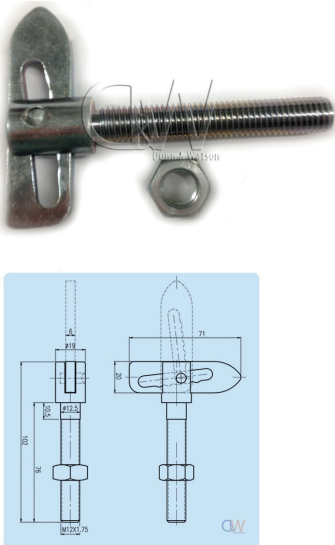
Part No. F0012

25mm Thread:



Part No. F0013

60mm Thread:



Part No. F0011

Weld On:



Part No. F0014

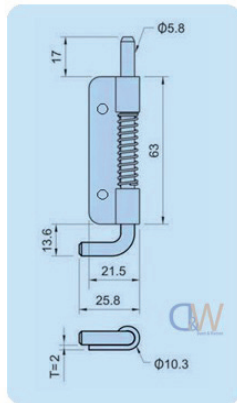
Toggle Plate and Washer:



SPRING BOLTS

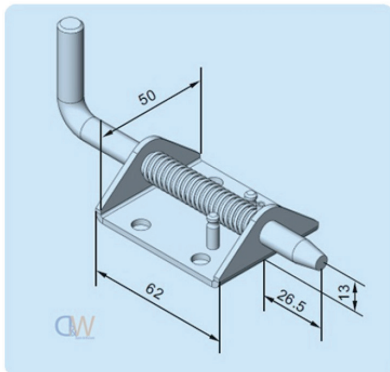
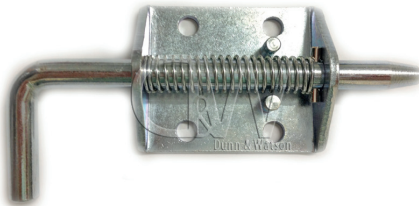
Part No. F0015

Small:



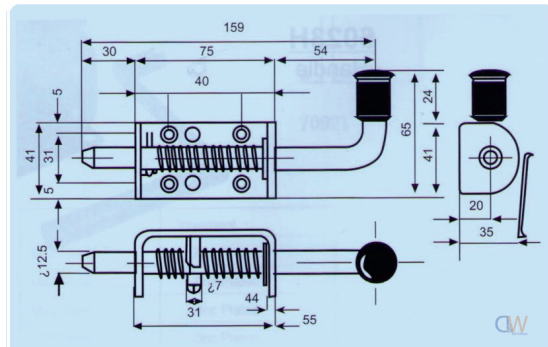
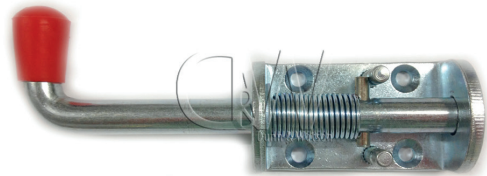
Part No. F0016

Medium:



Part No. F0017

Large:

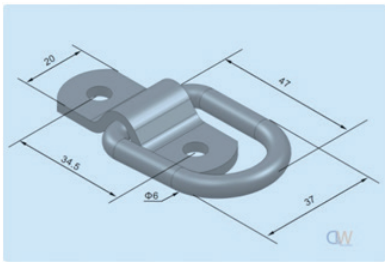


2 - FASTENERS

TIE DOWNS:

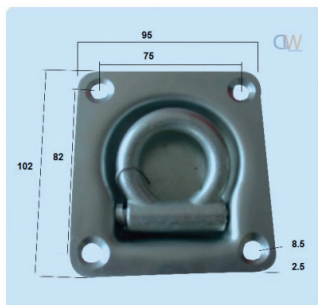
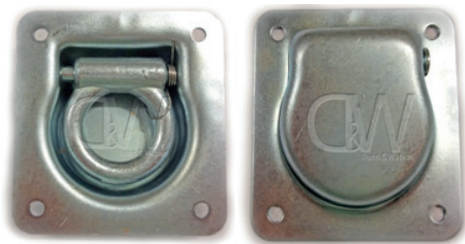
Part No. F0020

Anchor Plate:



Part No. F0021

**Recessed Tie Down
(Sprung Loaded):**



DOOR HOLD BACKS

Door Retainers

Commonly used on rear truck doors and light refrigeration bodies. Available in Zinc or Stainless Steel.

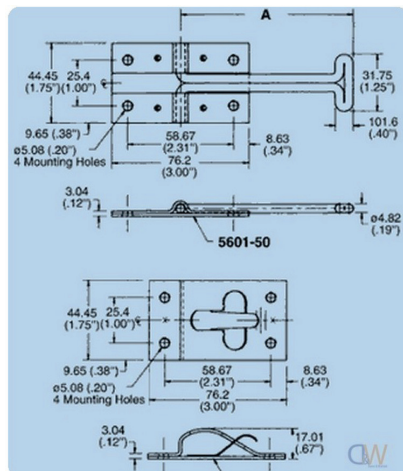
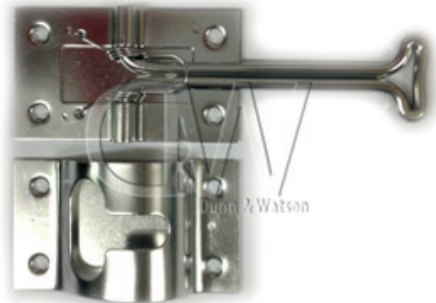
Part No. F0024

Zinc Plated:



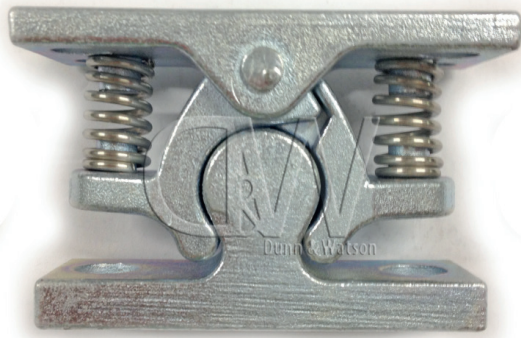
Part No. F0025

Stainless Steel:



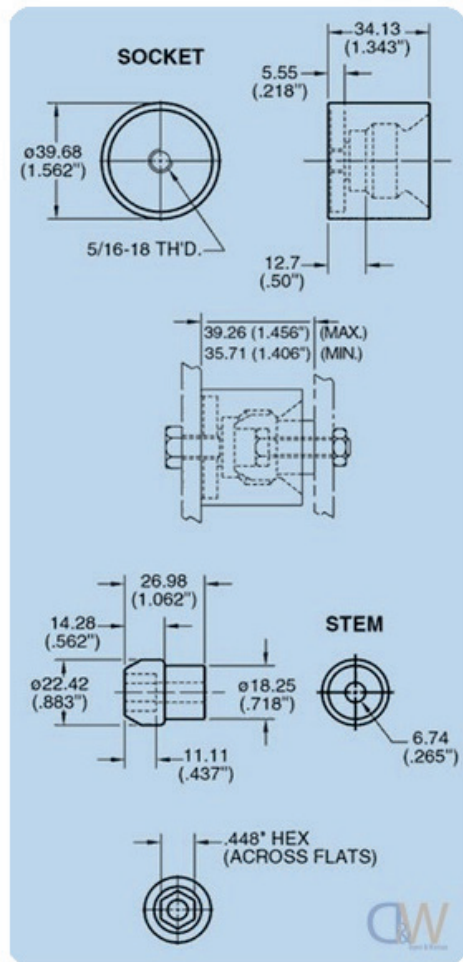
Part No. F0022

Heavy Duty:



Part No. F0023

Rubber Door Hold Back:



2 - FASTENERS

2 - FASTENERS



2 - FASTENERS

Phone: 07 3077 6699 Fax: 07 3103 8650
Email: sales@dunnandwatson.com.au