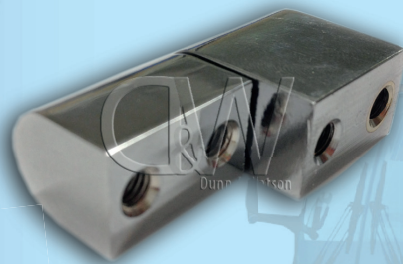
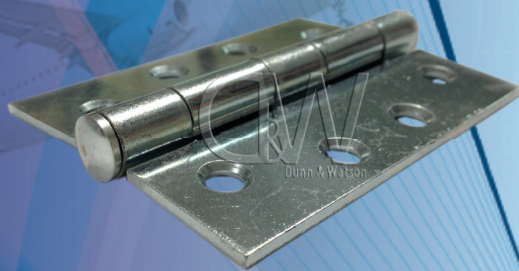


Section 4

HINGES

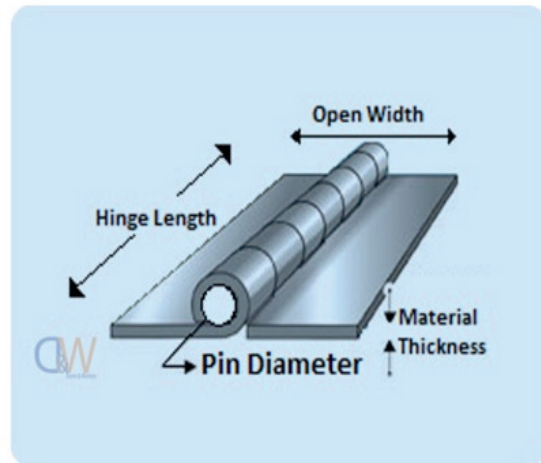
4 - HINGES



Continuous Hinge:

Available in:

- Galvanised finish with brass pin
- Stainless Steel finish with Stainless Steel Pin



Galvanised:

Part No.	Open Width	Hinge Length	Pin Diameter	Pin Material	Material Thickness
HCH32-1800GAL	32mm	1800mm	3.15mm	Brass	1.2mm
HCH38-1800GAL	38mm	1800mm	3.15mm	Brass	1.2mm
HCH50-1800GAL	50mm	2400mm	5.0mm	Brass	1.5mm
HCH57-2100GAL	57mm	2400mm	5.0mm	Brass	1.5mm
HCH64-2100GAL	64mm	2400mm	6.35mm	Brass	2.0mm
HCH76-2100GAL	76mm	2400mm	6.35mm	Brass	2.0mm
HCH120-2400GAL	120mm	2400mm	8.0mm	Brass	3.0mm

Stainless Steel:

Part No.	Open Width	Hinge Length	Pin Diameter	Pin Material	Material Thickness
HCH32-1800SS	32mm	1800mm	3.15mm	Stainless Steel	1.2mm
HCH38-1800SS	38mm	1800mm	3.15mm	Stainless Steel	1.2mm
HCH50-1800SS	50mm	2400mm	5.0mm	Stainless Steel	1.5mm
HCH57-2100SS	57mm	2400mm	5.0mm	Stainless Steel	1.5mm
HCH64-2100SS	64mm	2400mm	6.35mm	Stainless Steel	2.0mm
HCH76-2100SS	76mm	2400mm	6.35mm	Stainless Steel	2.0mm
HCH120-2400SS	120mm	2400mm	8.0mm	Stainless Steel	3.0mm

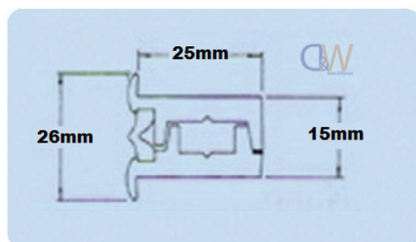
Part No. H0007

PVC Hinge:

Great for rear truck doors, trailers, etc. Black finish looks a great on any finished job.

Features:

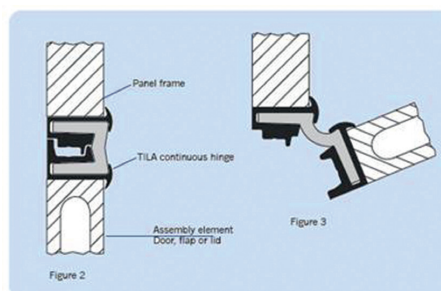
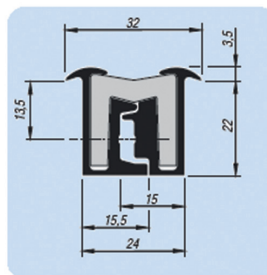
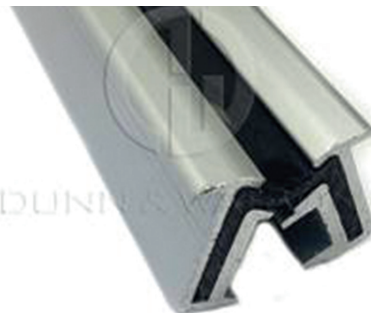
- Black PVC
- Tested to over 50,000
- Weatherproof
- Corrosion Resistant
- UV Light Stabilised
- Maintenance Free



Part No. H0050

Aluminium profile PVC hinge:

This hinge has a temperature range of -40°C to +80°C. It also features resistance to hydrolysis and bacteria. Comes in 2700mm lengths.



Butt Hinge:

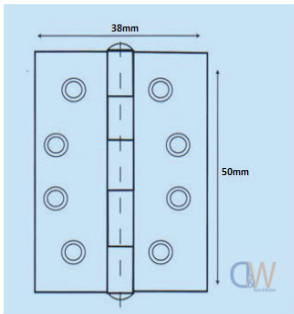


Part No. H0046

Zinc Plated:

Part No. H0025

Stainless Steel:

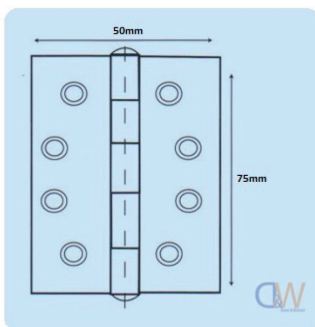


Part No. H0023

Zinc Plated:

Part No. H0026

Stainless Steel:

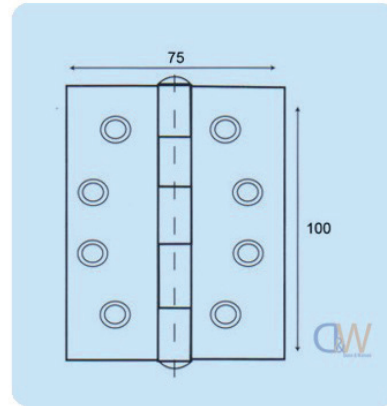


Part No. H0024

Zinc Plated:

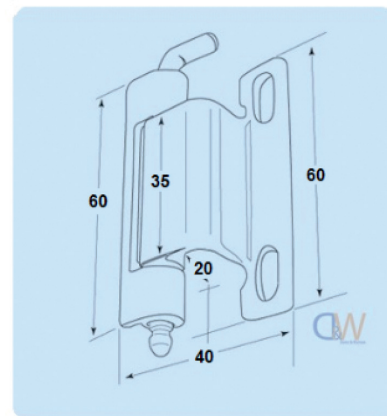
Part No. H0027

Stainless Steel:



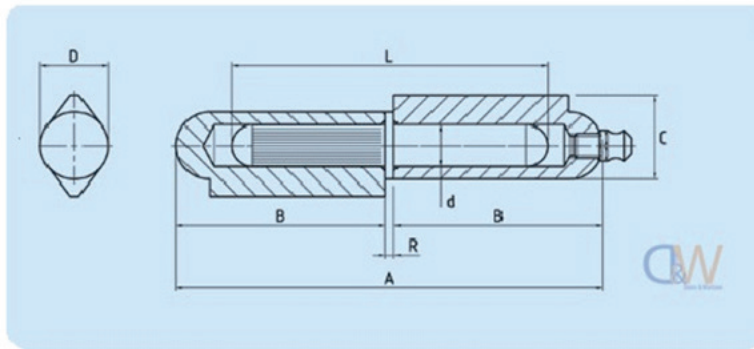
Part No. H0028

Concealed Hinge:



4 - HINGES

Bullet Hinge:



Mild Steel:

Part No.	(A)	(B)	(C)	(D)	(R)	(L)
H0014	80MM	39MM	16MM	13MM	2MM	40MM
H0015	100MM	49MM	20MM	16MM	2MM	50MM
H0016	120MM	59MM	20MM	16MM	2MM	60MM
H0017	150MM	74MM	25MM	20MM	2MM	75MM
H0018	200MM	99MM	28.5MM	23MM	2MM	100MM

Aluminium:

Part No.	(A)	(B)	(C)	(D)	(R)	(L)
H0019	80MM	39MM	16MM	13MM	2MM	40MM
H0020	100MM	49MM	20MM	16MM	2MM	50MM
H0021	120MM	59MM	20MM	16MM	2MM	60MM
H0022	150MM	74MM	25MM	20MM	2MM	75MM
H0048	200MM	99MM	28.5MM	23MM	2MM	100MM



Pintle Hinge:

Great for electrical boxes, utility boxes, etc.

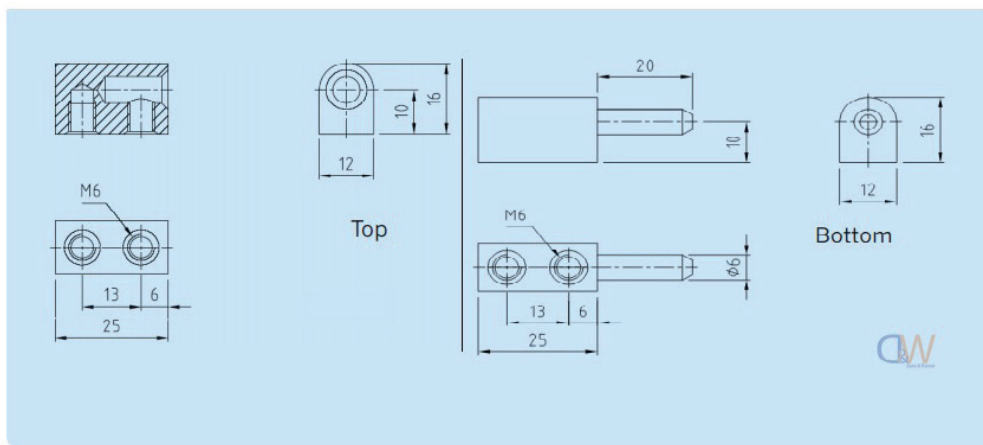
Features:

- Hinge Body Brass
- Chrome Plated
- Stainless Steel Pin



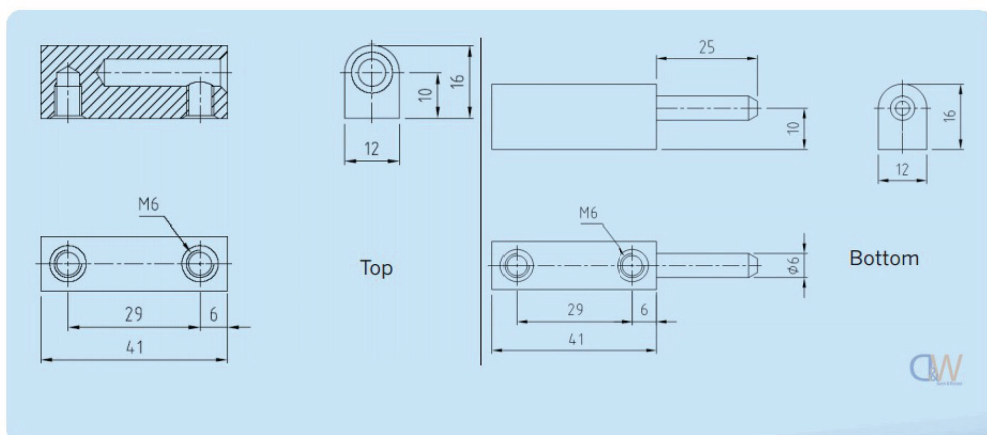
Part No. H0042

50mm:



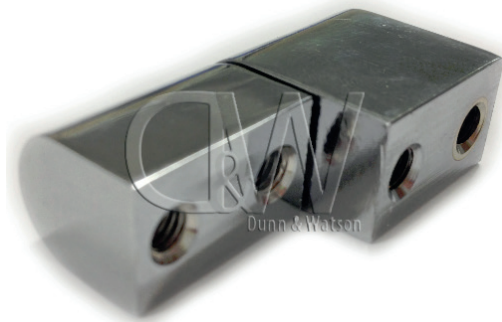
Part No. H0041

80mm:



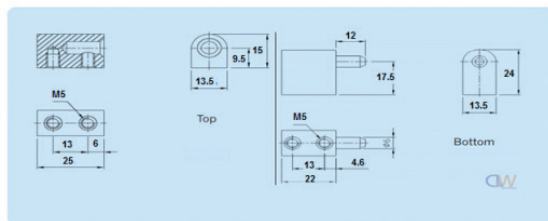
Part No. H0043

Stepped Pintle Hinge:



4 - HINGES

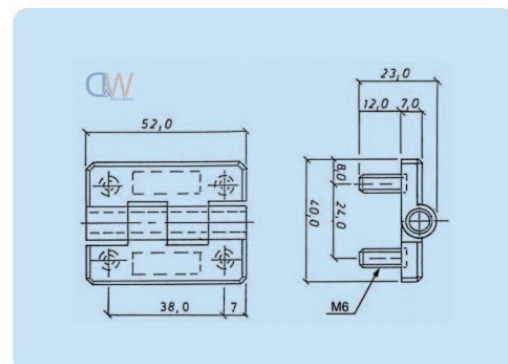
40mm:



Part No. H0044

Rear Fixing Hinge:

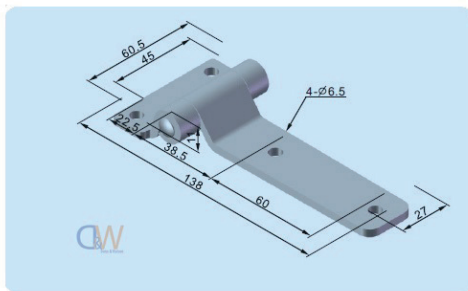
- Zinc die cast
- Heavy duty
- High quality black powder coated



TRUCK DOOR HINGE

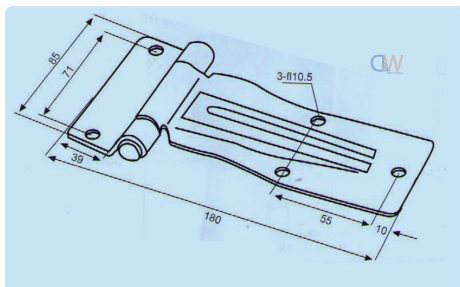
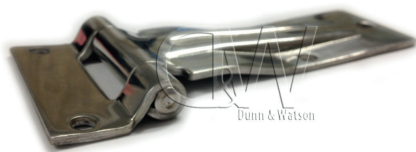
Part No. H0033

Stainless Steel: Flat Hinge - Small



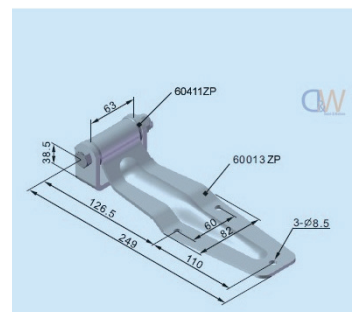
Part No. H0032 S/S

Over Seal Hinge - Medium



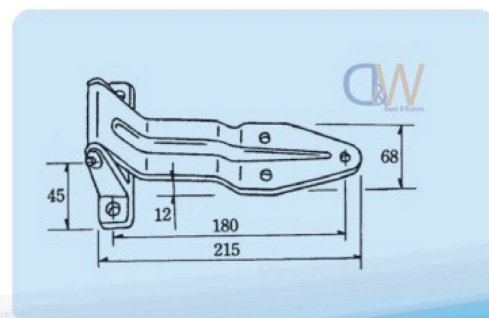
Part No. H0031 S/S

Over Seal Hinge - Large



Part No. H0030

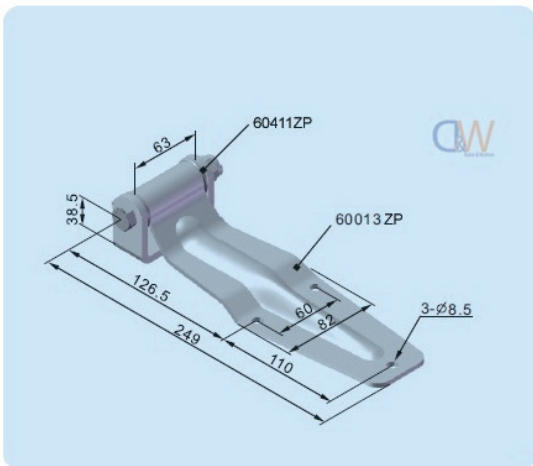
Zinc Plated: Over Seal Hinge - Medium



4 - HINGES

Part No. H0029 Z/P

Over Seal Hinge - Large



STRAP HINGE:

Great for drop side hinges on ute trays, trailer doors, etc.

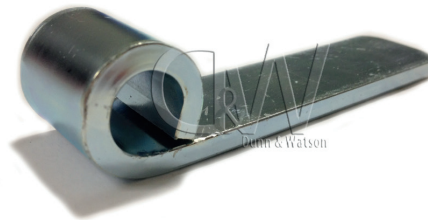
Zinc Plated

Part No. H0036

100mm Length

Part No. H0037

235mm Length



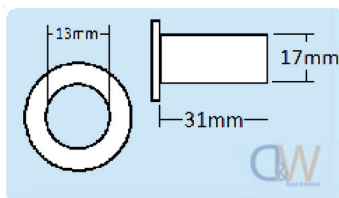
Part No. H0035

Mild Steel - 95mm Length



Part No. H0040

Nylon Bush:



GUDGEON:

Works in conjunction with strap hinge.

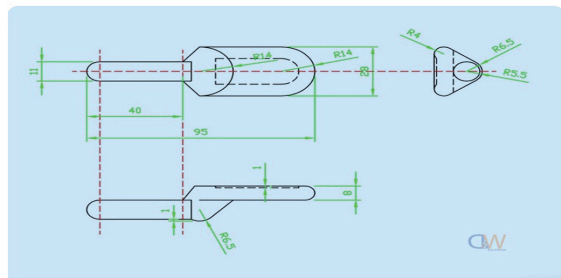
Part No. H0039

Zinc Plated



Part No. H0038

Steel



4 - HINGES

4 - HINGES



4 - HINGES