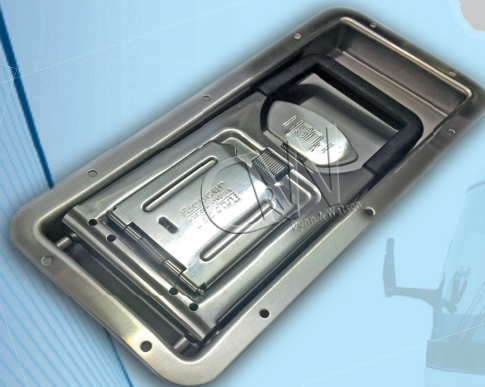
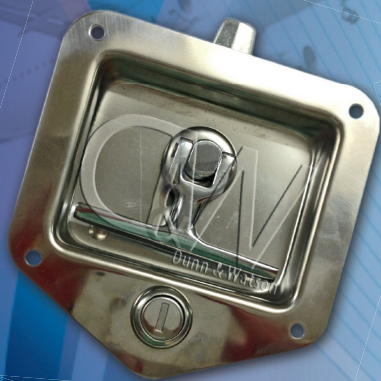


Section 1

LOCKS AND HANDLES

1 - LOCKS AND HANDLES



LOCKS - FOLDING T HANDLE

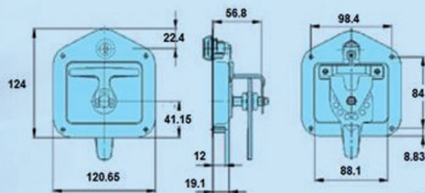
Great for locking all kinds of trailer doors, tailgates, etc.

Stainless steel handles feature:

- Key locking
- Flush fitting
- Water resistant
- Rubber gasket

Part No. LH0001

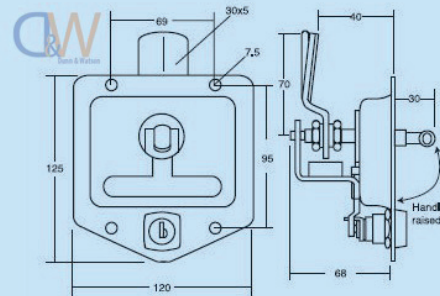
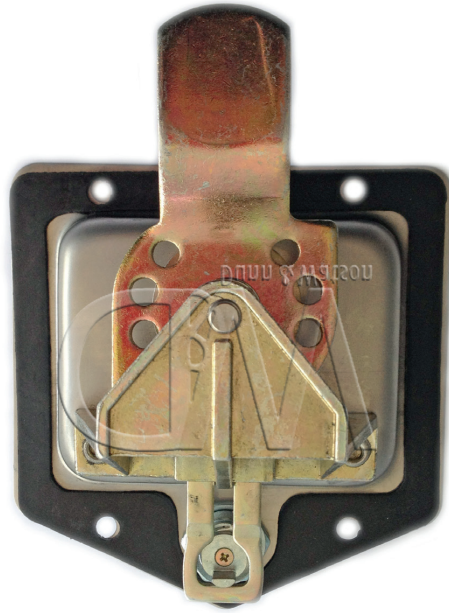
Standard Tongue:




DUNN & WATSON

Part No. LH0002

Bent Tongue:

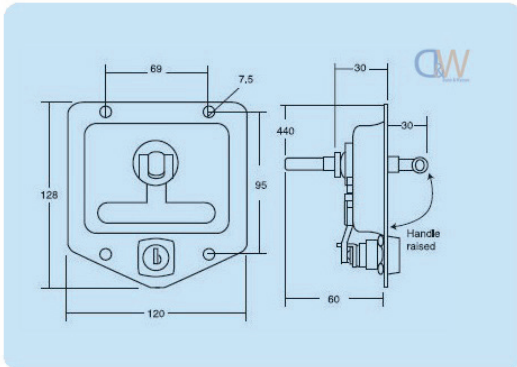


1 - LOCKS AND HANDLES

Part No. LH0003

Square Drive Shaft:

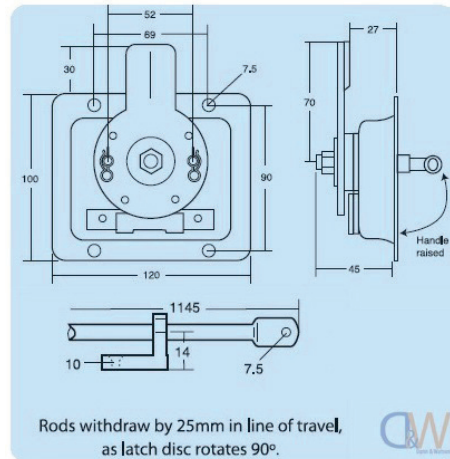
This lock works great with locking accessories such as rods, cam leavers and other slamming devices.



Part No. LH0005

Three Point Locking:

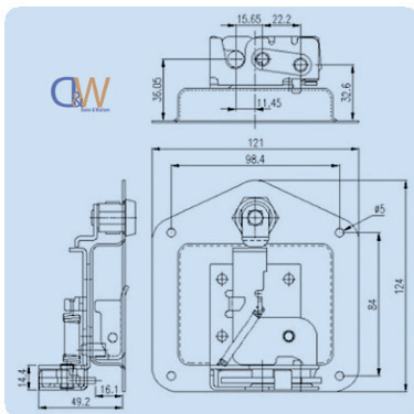
This lock works great with locking accessories such as rods and cable operated slamming devices.



Part No. LH0066

Rotary Locking:

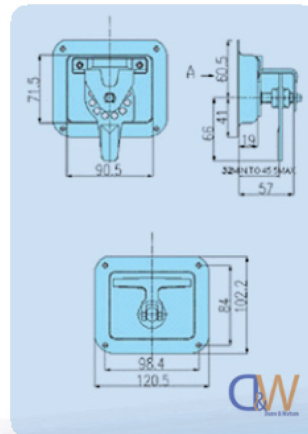
This lock works great in door setups where a slam action is required. Handle has a two phase action where even if your door is half shut it will still remain closed, much like when you don't shut your car door properly.



Part No. LH0004

Non Locking:

Great for all kinds of internal applications where a key lock is not required. This is commonly but limited to applications where safety equipment is stored or on cupboard drawer faces inside an already locked vehicle or facility.



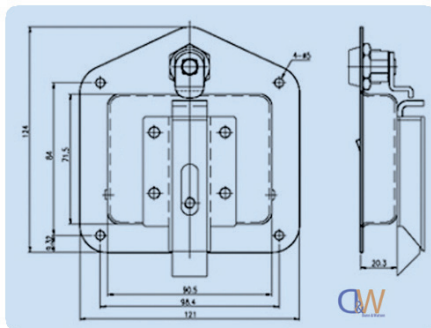
1 - LOCKS AND HANDLES

Part No. LH0011

Paddle Handle

(Folding 'T' Handle Base Plate):

This lock works great in door setups where a slam action is required. Handle is shaped like the common folding T handle but offers the spring loaded tongue and paddle feature of a paddle handle.

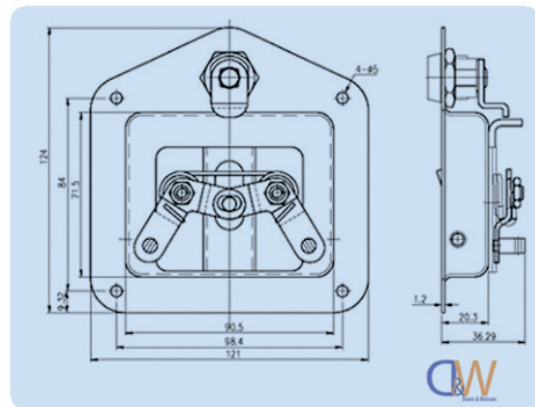


Part No. LH0069

Multi-Point Paddle Handle

(Folding 'T' Handle Base Plate):

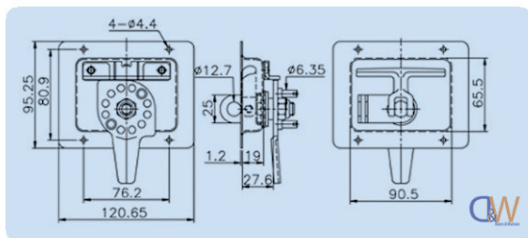
Handle features two fins at the rear of the handle allowing for rods or cable to be fitted. This facilitates a two point lock. Handle is shaped like the common folding T handle but offers the sprung loaded paddle feature of a paddle handle. Great for exceptionally wide doors.



Part No. LH0012

Padlocking:

Great for all kinds of applications where extra security beyond a standard key lock is required. This is commonly but not limited to applications where cabinets such as toolboxes are carrying expensive machinery or tools.



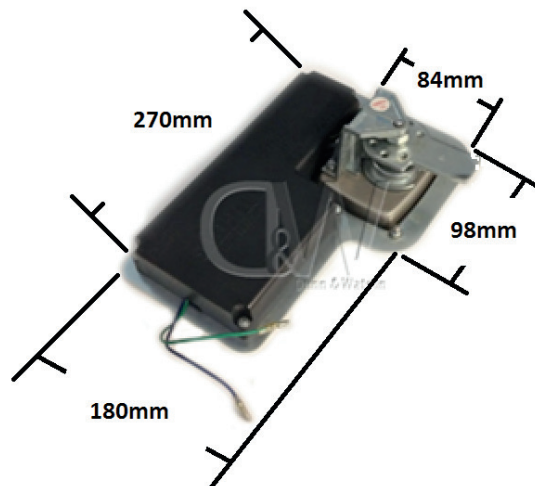
Part No. LH0009

Power Operated:

Handles can be hooked up to the central locking device of a vehicle to lock and unlock with the rest of the doors. Great for canopies.



- Key locking
- Operates 12VDC and 24VDC
- Flush fitting
- Water resistant
- Rubber gasket

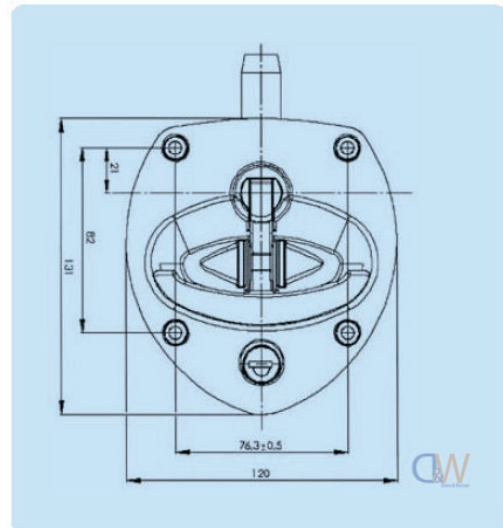


Part No. LH0006**Compression Action:**

Great for trailers, canopies, service vehicles, etc. This handle is popular when a job requires additional security or a different look to your standard stainless Folding 'T' handle.

Features:

- Operational as a 1, 2 or 3 point
- Key locking
- Compression Feature
- Pad Locking
- Can be fitted with Rods

Black Finish:

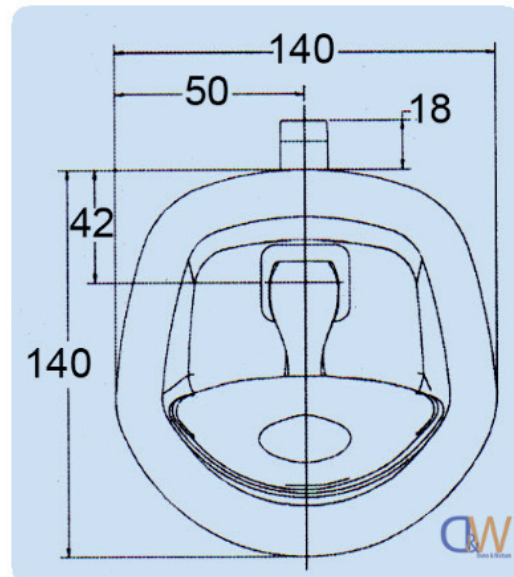
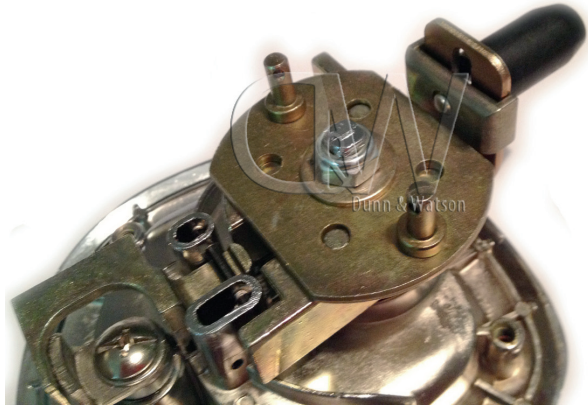
Part No. LH0007

Whale Tail:

Great for trailers, canopies, service vehicles, etc. This handle is popular when a job requires additional security or a different look to your standard stainless Folding 'T' handle.

Features:

- Key locking
- Operational as a 1, 2 or 3 point
- Chrome finish
- Compression Feature
- Pad Locking
- Can be fitted with Rods



1 - LOCKS AND HANDLES

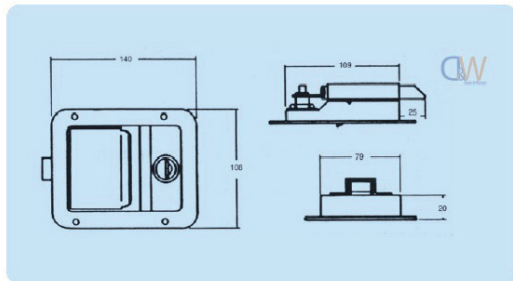
Paddle handle

Stainless steel handles feature:

- Key locking
- Flush fitting
- Slam Action when closing door

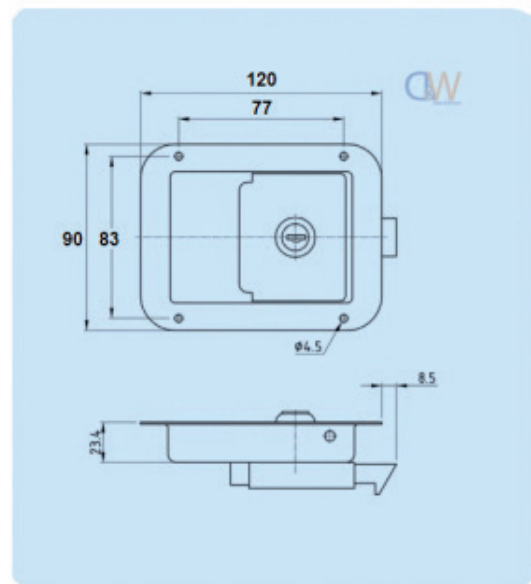
Part No. LH0023

Large Paddle Handle:



Part No. LH0024

Medium Paddle Handle:



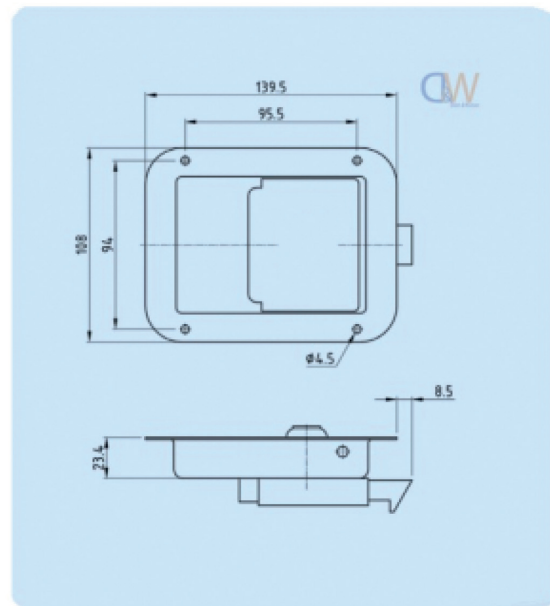
Part No. LH0025

Small Paddle Handle:



Part No. LH0027

Large Paddle Handle
(Non Locking)



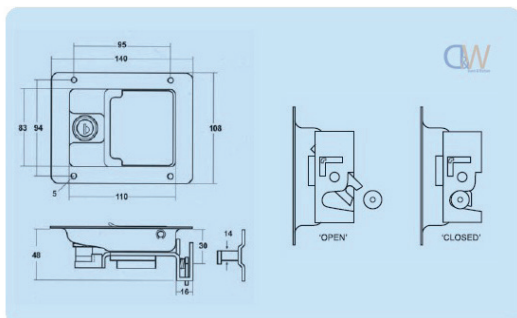
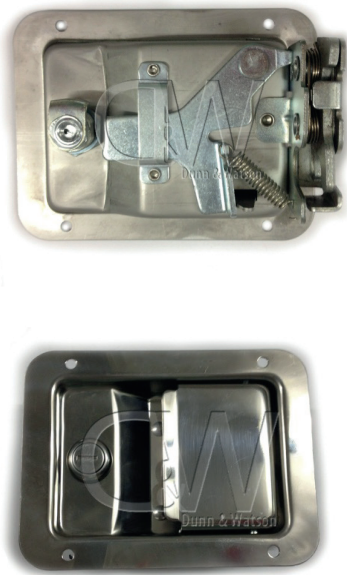
1 - LOCKS AND HANDLES

Part No. LH0022

Large Paddle Handle
(Rotary Locking)

Handle is fitted with a rotary lock which is similar to a passenger restraint latch you find on a car door. This is a strong and sturdy locking device. Stainless steel handles feature:

- Key locking
- Flush fitting
- Slam Action when closing door
- Rotary Lock fitted to handles rear

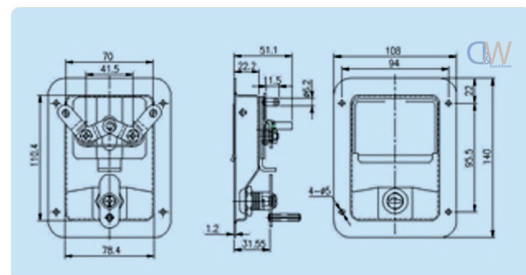


Part No. LH0026

Large Paddle Handle
(Two Point)

Handle features two fins at the rear of the handle allowing for rods or cable to be fitted to handle allowing for a two point lock. Great for exceptionally wide doors. Stainless steel handles feature:

- Key locking
- Flush fitting
- Slam Action when closing door



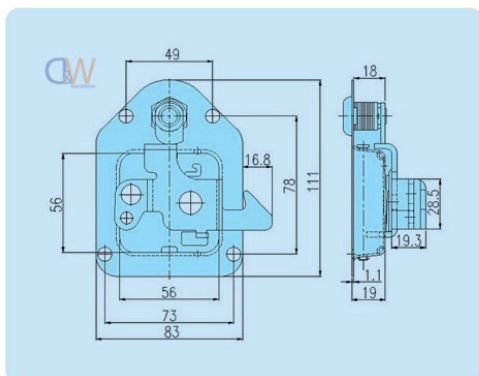
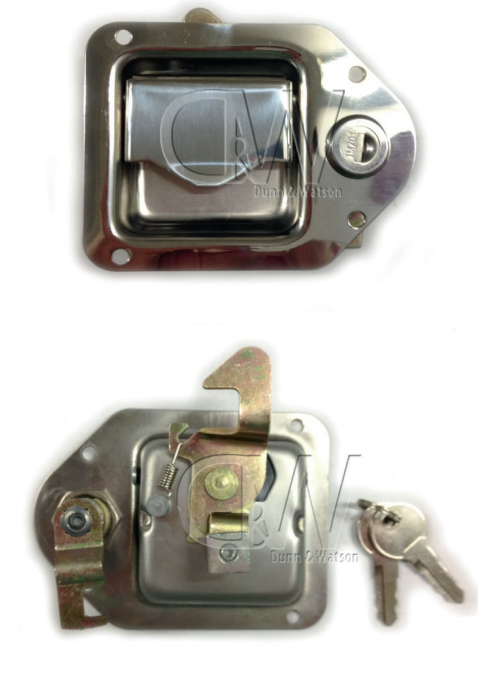
Part No. LH0029

Toolbox Paddle Handle

Recessed Paddle Handle allows user to slam their door shut. Commonly used for toolboxes.

Stainless steel handles feature:

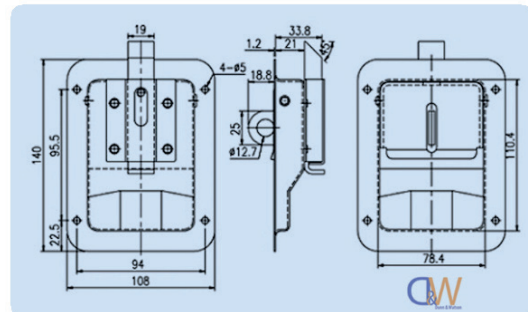
- Key locking
- Flush fitting
- Slam Action when closing door



Part No. LH0030

Pad-Locking Paddle Handle

This handle provides an alternate locking device to a standard paddle handle. This is commonly used but not limited to applications where cabinets such as toolboxes are carrying expensive machinery or tools.

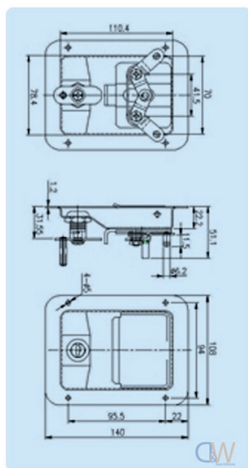


Part No. LH0028

Two Way Paddle Handle

(Internal / External Operation)

Handle features a stainless steel finish. Key locking face on the handle can be overridden by the tab of the internal handle. This means that the handle can't lock in the user under any circumstance. Handle has spring loaded arms which can be used with locking rods or a cable system.



Thumb Press Compression Handle

Typically used on Toolboxes, Canopies, Truck bodies Caravans, etc.

Features:

- Flush fitting
- Weatherproof
- Supplied with Gasket
- Push to open operation
- Compression Seal

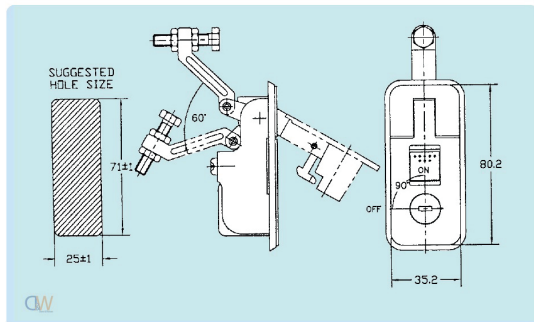


Part No. LH0036

Small Handle - Chrome

Part No. LH0038

Small Handle - Black

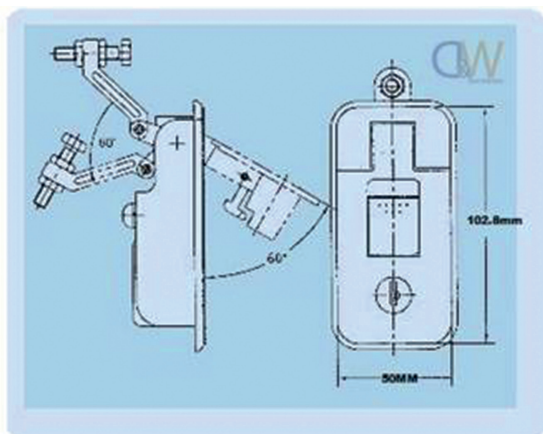


Part No. LH0037

Large Handle - Black

Part No. LH0035

Large Handle - Chrome

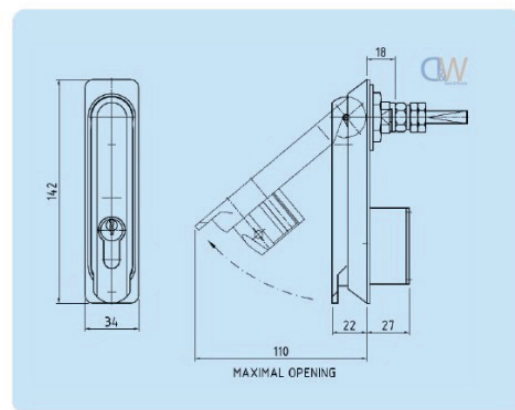


Swing Handle

Commonly used on switchboards, electrical boxes or truck bodies.

Features:

- Semi Flush fitting
- Water Resistant
- Supplied with Gasket
- Vandal Resistant
- Chrome Plated



Part No. LH0031

Key Locking:



Part No. LH0032

Non Locking:



Part No. LH0033

Pad Locking:



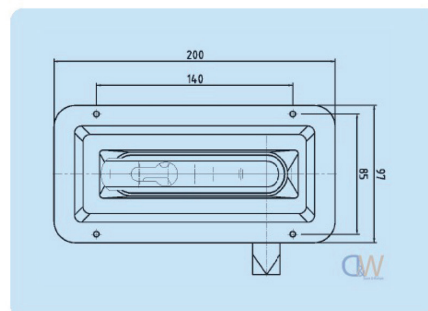
Part No. LH0034

Power Operated:

Commonly used on canopies or truck bodies.

Features:

- Key Locking
- Power Operated
- Semi Flush fitting
- Water Resistant
- Supplied with Gasket
- Vandal Resistant
- Chrome Plated
- Electrically actuated
- Can be connected to vehicles existing system
- Key override (lock/unlock)
- 2 wire connection - 12 volt DC
- 90° left & right stopper
- Park position with "click"

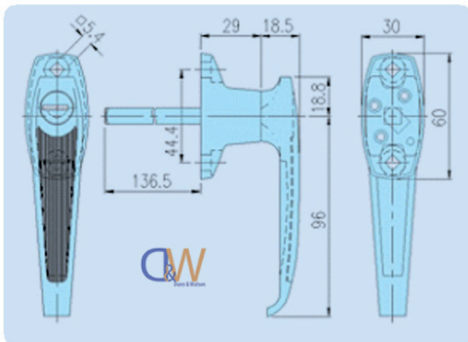


'L' HANDLES

Handle features a square drive shaft, making handle work well with other locking devices including locking cams, rod systems and slam latches

Features:

- Key Locking
- Water Resistant
- Chrome Plated



Part No. LH0013

Front Fixing:



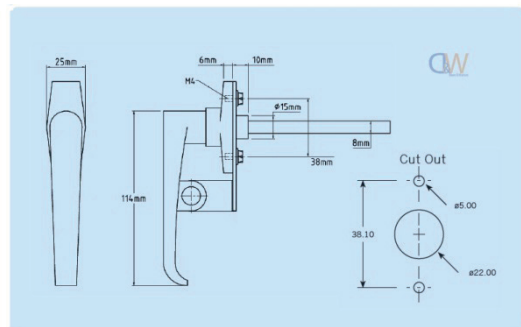
Part No. LH0014

Rear Fixing:



Part No. LH0015

Pad Locking

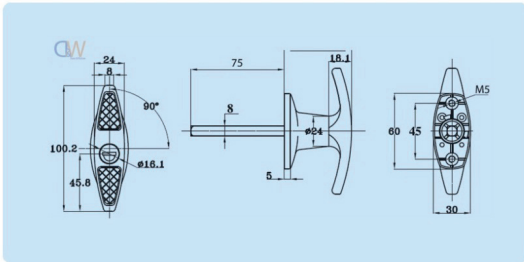


'T' HANDLES

Handle features a square drive shaft, making handle work well with other locking devices including rod systems and slam latches.

Features:

- Key Locking
- Water resistant
- Chrome Plated



Part No. LH0019

Rear Fixing:



Part No. LH0017

Front Fixing:



Part No. LH0020

'T' Handle Black Finish

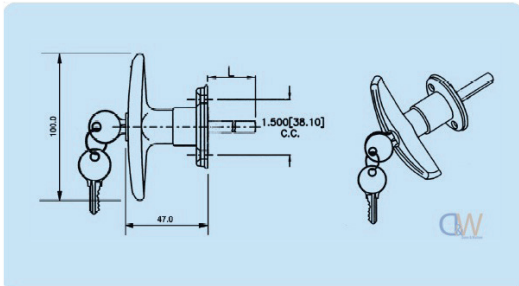
Handle features a square drive shaft, making handle work well with other locking devices including rod systems and slam latches. This handle is commonly used on canopies.

Features:

- Key Locking
- Water resistant
- Black plastic finish



Front & Rear Fixing



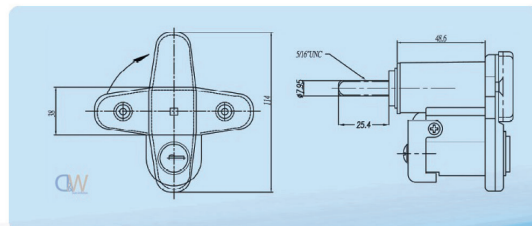
Part No. LH0021

'T' Handle Pop Up

Handle features a square drive shaft, making handle work well with other locking devices including rod systems and slam latches. Pop up feature is designed to operate when user presses down on key hole.

Features:

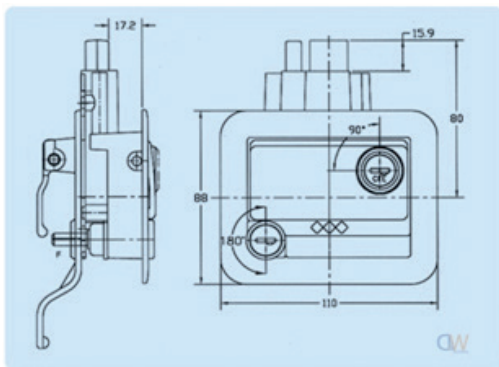
- Key Locking
- Water resistant
- Black Plastic Finish
- Low Profile



Part No. LH0041

Trailer Door Lock

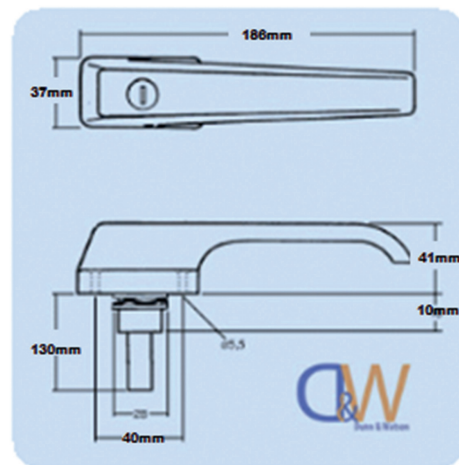
Handle features a chrome finish. Dual key locking on the face of the handle for extra security. Both locks are over rideable from the internal section of the handle. This means that the handle can't lock in the user under any circumstance. Handle tongue is sprung loaded providing a slam locking function.



Part No. LH0016

Leaver Handle

Heavy duty leaver style handle. Long style leaver allows for strong locking devices on your door to be easily engaged. Handle features a sleek black finish, key locking and square drive shaft. The handle is hard wearing, strong and reliable. Mounting holes are not visible when locked, making it quite secure also.



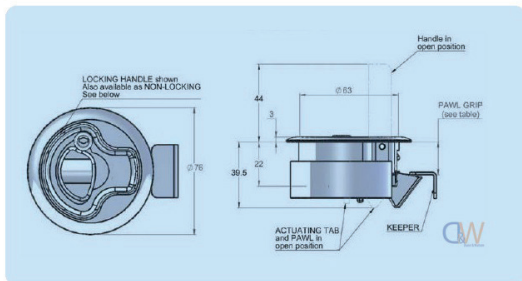
Part No. LH0040

Finger Pull

Heavily used in the Marine Industry or for small compartment door locks on various styles of trailers. This lock is typically used for internal applications. It has a slam action.

Features:

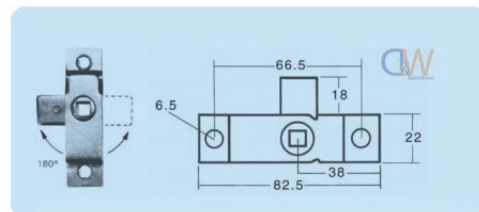
- Single, round-hole installation
- Low Profile
- Corrosion-resistant materials
- Inside actuation when locked or unlocked
- Pull to Open



Part No. LH0042

Budget Latch

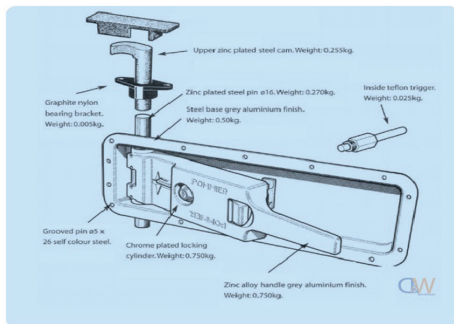
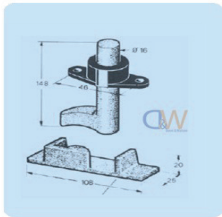
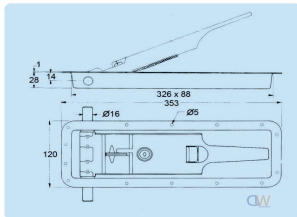
– Universal This lock can be operated in conjunction with a square drive shaft handle. The tongue is called universal as it can turn to the left or right. This lock is zinc plated.



CAM LOCKS

Part No. LH0043

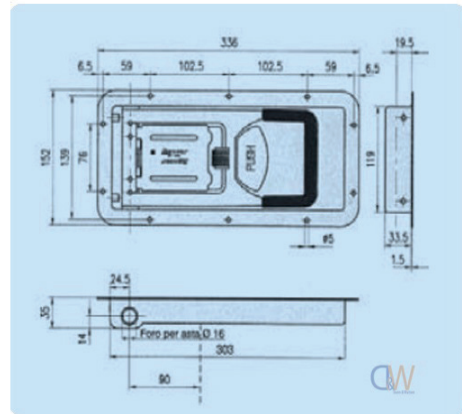
Aluminium Recessed Cam Kit



Part No. LH0044

Stainless Steel Recessed Cam Lock Kit

Stainless Steel Cam Lock Kit. Push to open unlocking feature, key lockable. Suits 35mm pipe. Internal release available.



1 - LOCKS AND HANDLES



Part No. LH0045

Light Duty Standard Cam Kit

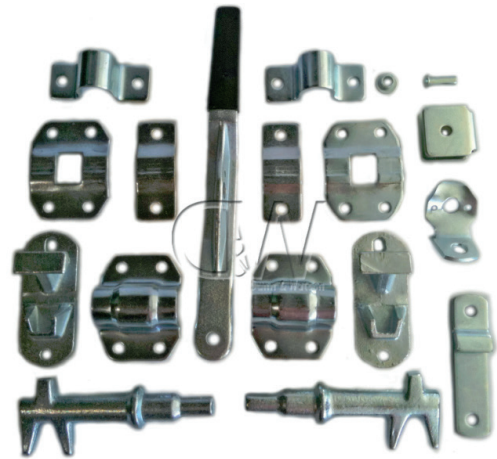
Light Duty Cam Lock kit. Zinc plated finish. Bolt on. Suits 22mm O.D. Pipe.



Part No. LH0046

Medium Duty Standard Cam Kit

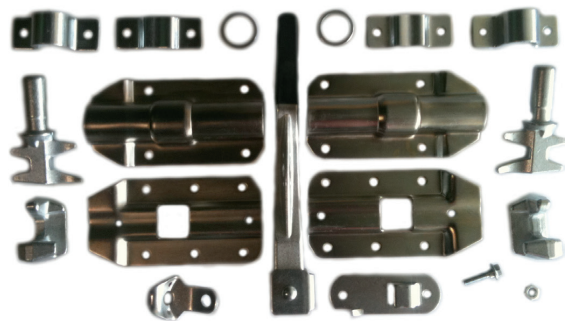
Medium duty cam lock kit. Zinc plated finish. Suits 27mm O.D. pipe. Bolt on assembly.



Part No. LH0047

Heavy Duty Standard Cam Kit

Heavy duty cam kit. Zinc plated finish. Suits 34mm O.D. pipe. Bolt on assembly.



1 - LOCKS AND HANDLES

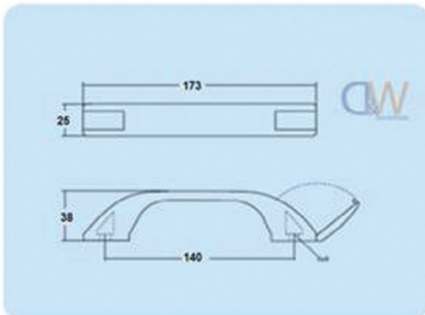
HANDLES

Part No. LH0061

Grab Handles Black Plastic:

Features:

- Low Profile
- Concealed fixings make installation nice and tidy.

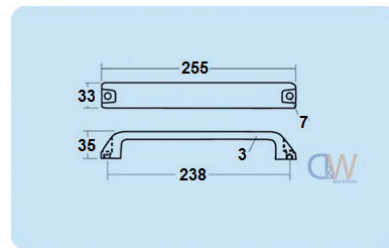
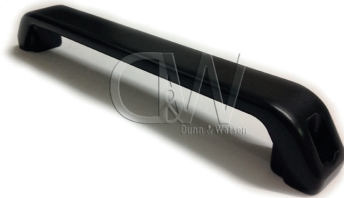


Part No. LH0062

Black Coated Steel:

Features:

- Low Profile
- Black in colour, powder coated.

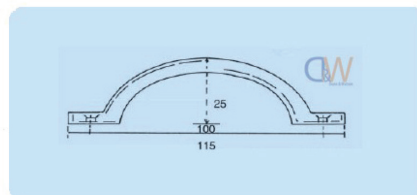


Part No. LH0063

Chrome:

Features:

- Low Profile
- Chrome Finish.

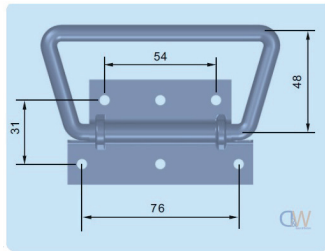


Part No. LH0064

Chest Handles

Standard:

Standard Chest Handle. Handle is Zinc plated.

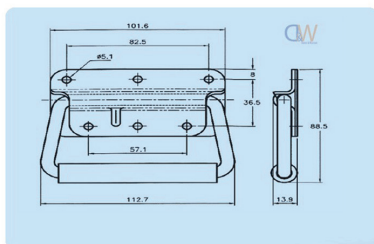


Part No. LH0065

Sprung Loaded:

Features:

- zinc plating
- rubber handle grip to reduce banging noise.



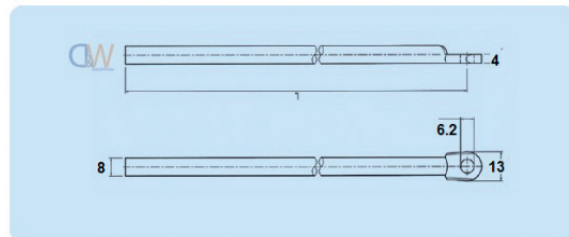
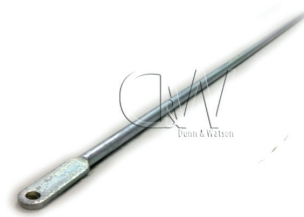
LOCKING ACCESSORIES

Rods

Standard Rod, made from mild steel and are zinc plated. Supplied in 1200mm lengths and has a 8mm diameter. Rods can be used in conjunction with a variety of handle accessories.

Part No. LH0052

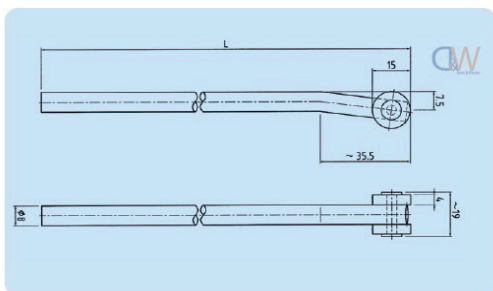
Locking Rod:



1 - LOCKS AND HANDLES

Part No. LH0053

Roller Rod:



Part No. LH0056

Black Plastic Rod Guide:

Creates accurate travel for rods. Has a brass thread so that screw fitting wont strip.



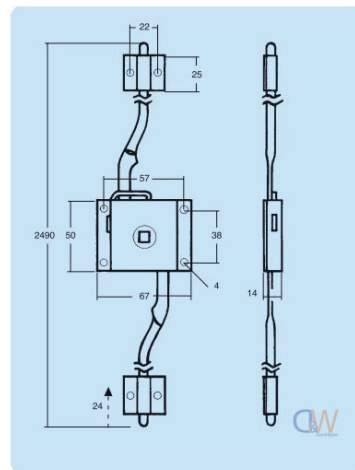
Part No. LH0054

Two Way Rod Latch:

Two way rod latch, made from mild steel and is zinc plated, also supplied is two rod saddles.

Features:

- Square drive hole that allows for a variety of handles to operate rods
- Supplied in a 2400mm length.

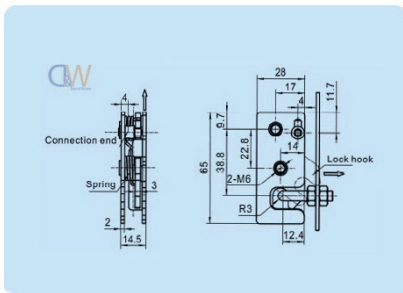


SLAM CATCHES

Allows rod locking handles to have a slam shut feature. Similar locking device to a standard car door.

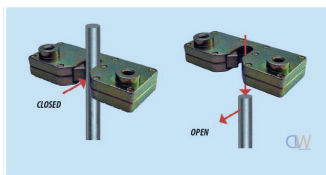
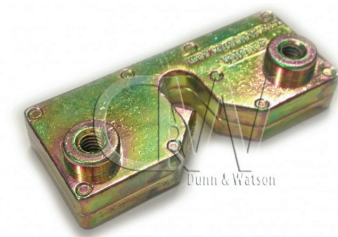
Part No. LH0058

Rotary Latch:



Part No. LH0057

Rod Slam Latch:



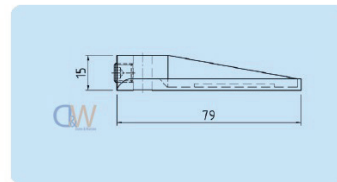
TONGUES

Features:

- Can be attached to locks that have a square drive shaft rear.
- Device has a grub screw that allows tongue to be tightened to square drive shaft.

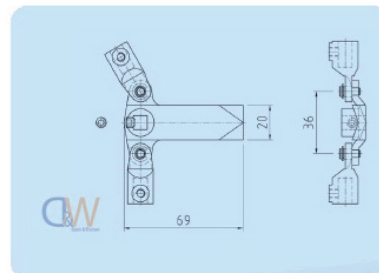
Part No. LH0059

Single Point Cam Lever:



Part No. LH0060

Multi Point Lever:



1 - LOCKS AND HANDLES



1 - LOCKS AND HANDLES