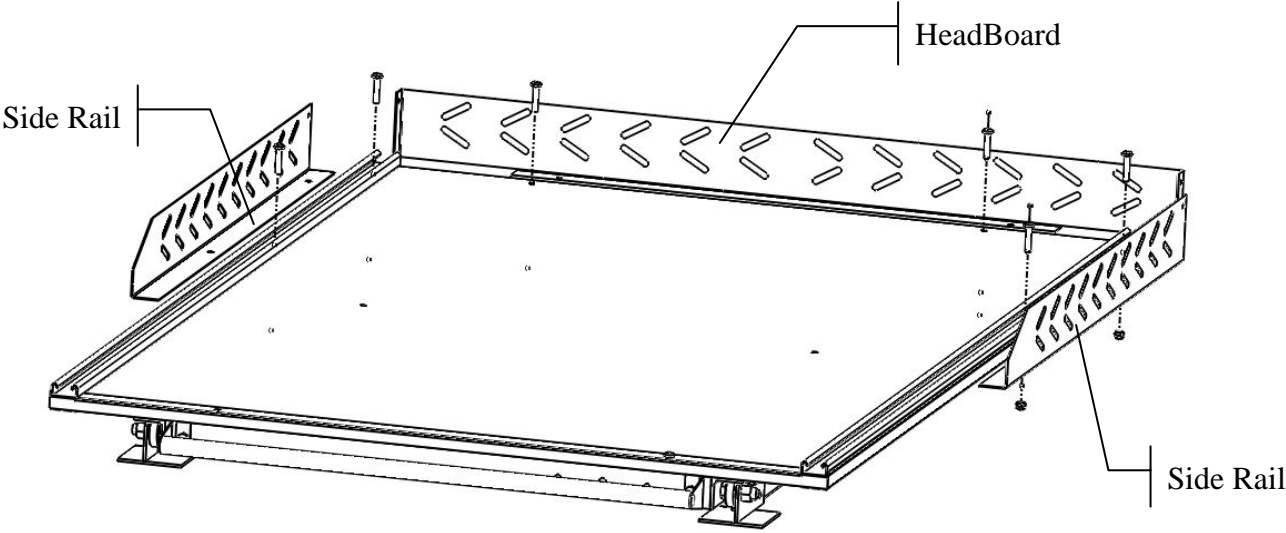


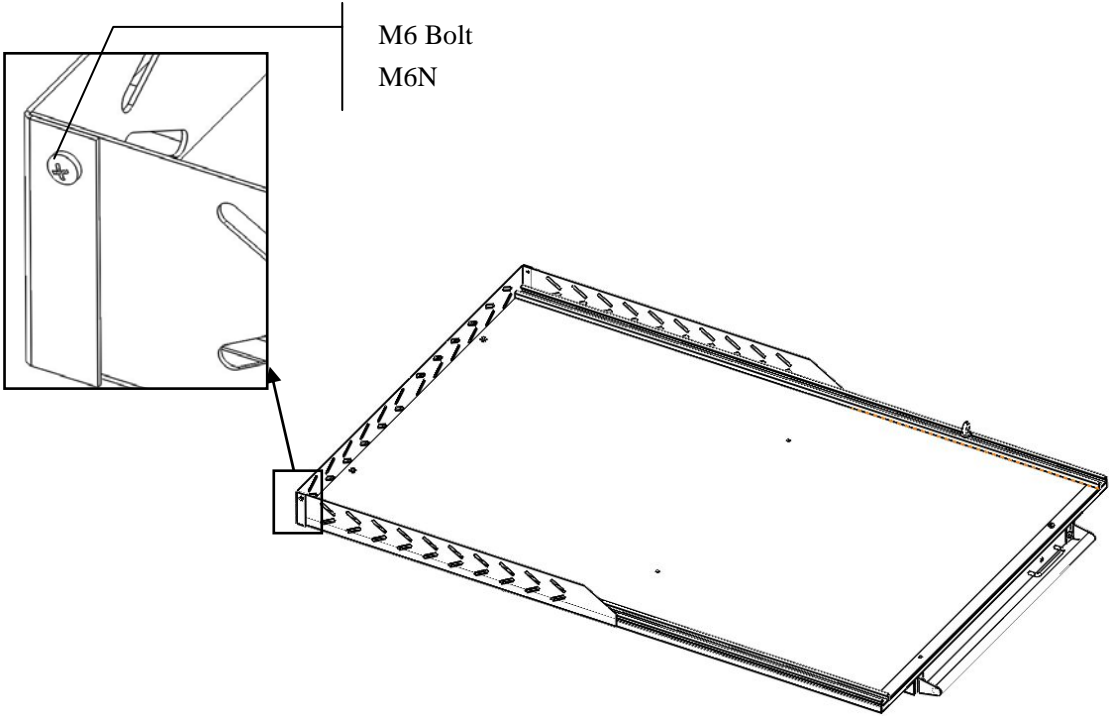
TSB1000 installation guide

1. Install side rails & headboard

Loose the corresponding nuts, assemble siderail and headboard then tighten the nuts.

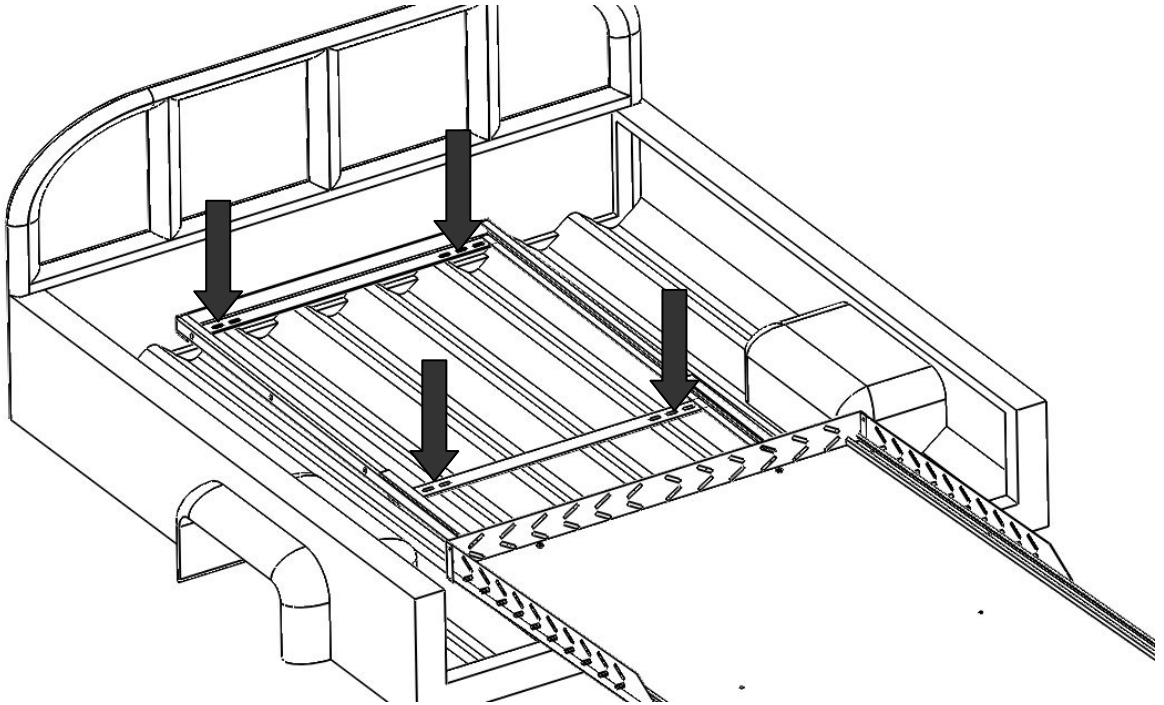


Connect side rail and head board by M6s Bolt and Nuts.



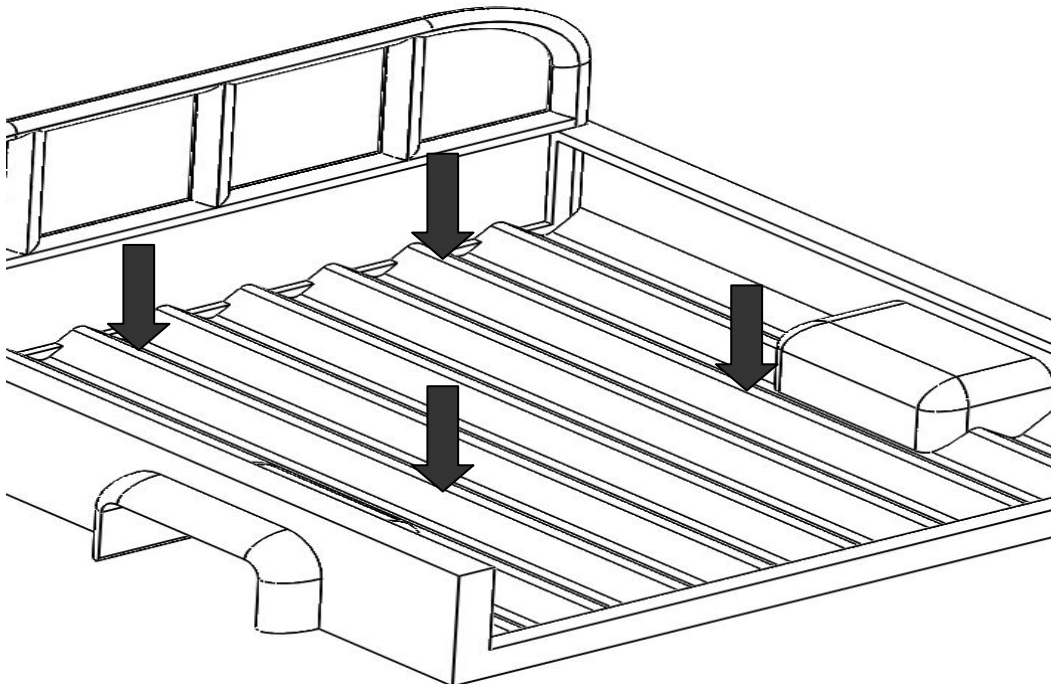
2. Center product and mark

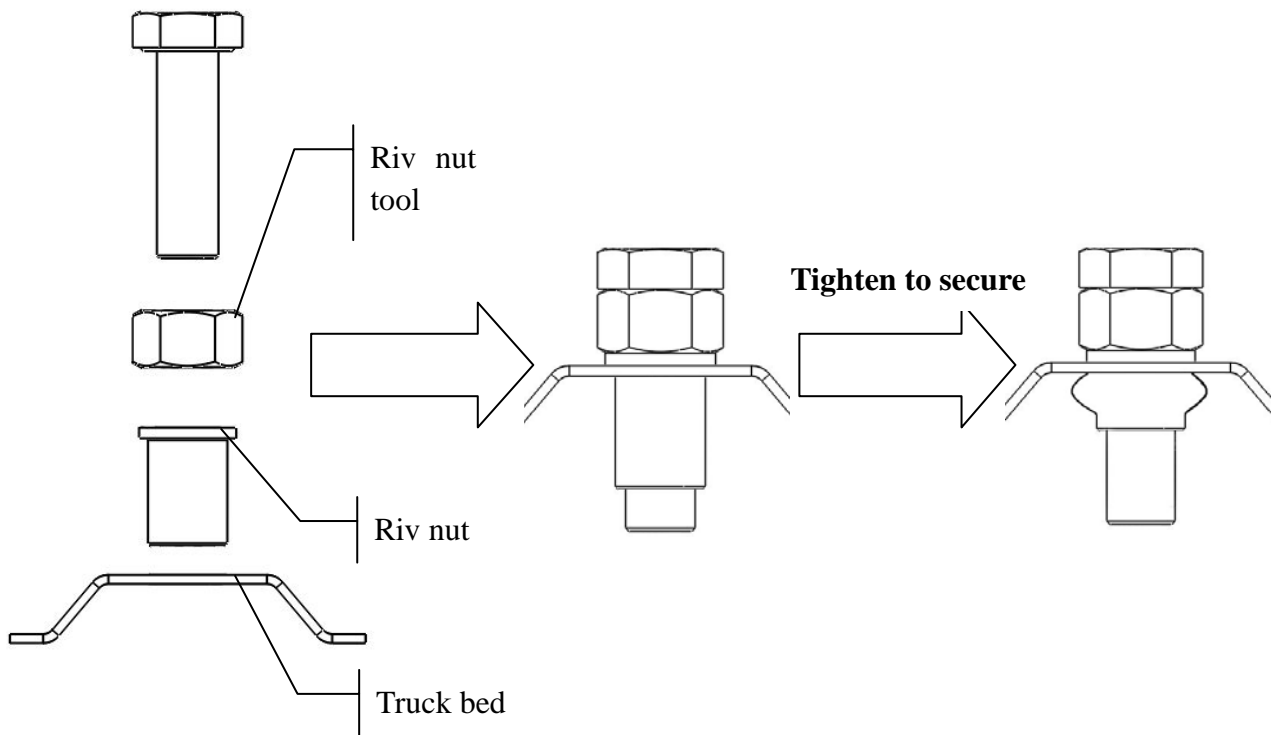
Put the unit between wheel wells and mark the locations of each hole.



3. Drill holes and assemble riv nuts

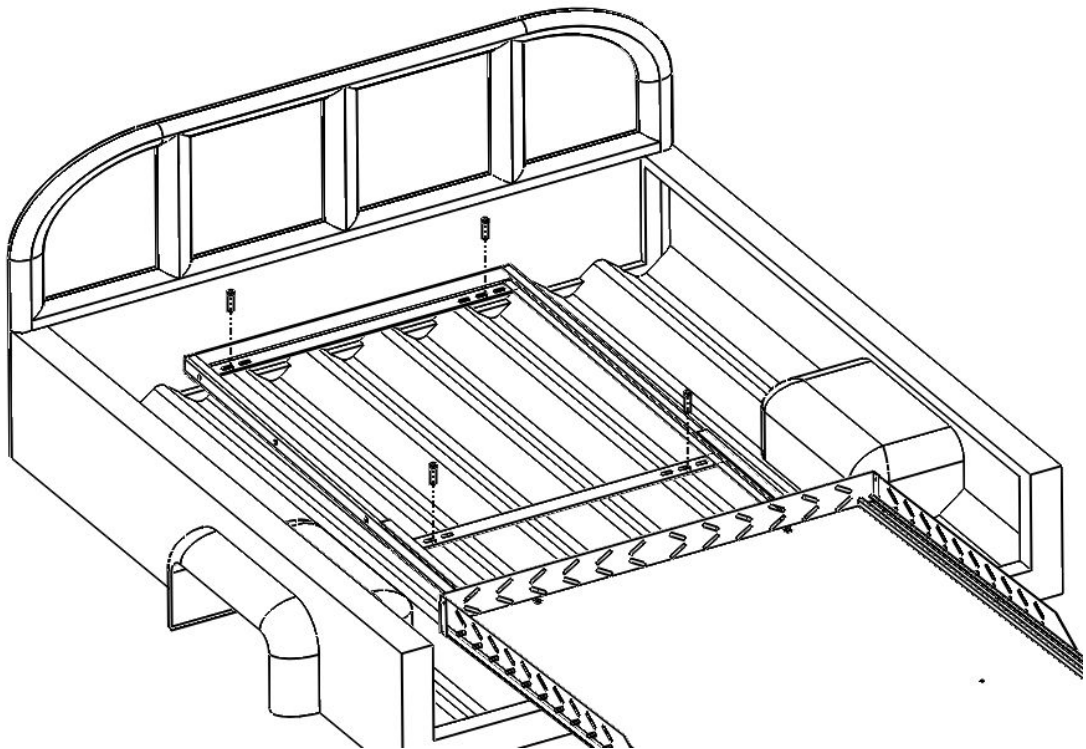
Drill Dia. 13mm holes at marked places, fit M10 riv nut, riv nut tool, M10 bolt into the hole. Tighten riv nut tool by spanner 17#, meanwhile, tighten bolt by 17mm sleeve, fix riv nuts on the truck bed, then remove bolt.





4. Install bed slide

Fix the unit by M10 Bolts.



5. Install Tiedowns

